

### LED STREET LIGHTS

ECOLight's new generation Street Lighting luminaire design incorporates high output Lumiled LED and Mean Well HLG series LED driver.

This design delivers exceptional performance in all roadway and public area applications that will significantly reduce operational costs in energy, maintenance and provide an impressive lifespan.

Available in both Silver & Black.

#### APPLICATIONS

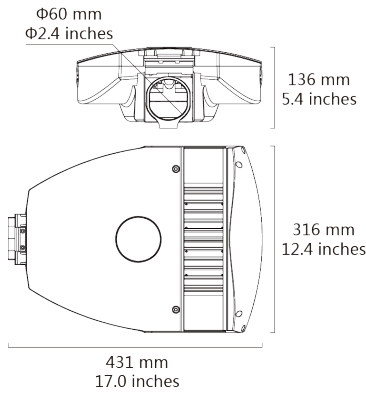
- City streets
- Highways
- Public parks
- Car parks
- Subdivisions
- Hospitals
- Corrections Facilities



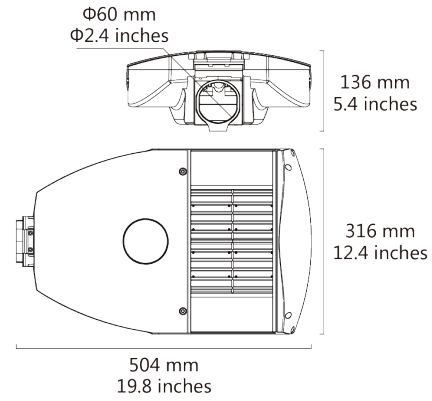
#### TECHNICAL SPECIFICATIONS

Fixture/Part No.	LEDSTL-50AC	LEDSTL-100AC	LEDSTL-150AC	LEDSTL-200AC
LED Power (W)	50	100	150	200
Lumen Output (Lm)	5,750	11,500	17,250	23,000
Weight (kg)	5.3	6.1	7.3	9.0
Luminous Efficacy	115lm/W			
Beam Angle	Types I, II, III, V			
Input Voltage	100-240VAC, 50/60Hz / 12VDC / 24VDC			100-240VAC, 50/60Hz
Maximum Current	0.36A-120V 0.18A-240V	0.67A-120V 0.33A-240V	1.03A-120V 0.51A-240V	1.70A-120V 0.85A-240V
Power Factor	>0.95			
Colour	3800-4100K / 5000-5650K / 5650-6300K			
CRI	≥75			
Working Environment	Temperature: -40°C~50°C Humidity 10%~95%			
IP Rating	IP66			
IK Rating	IK10			
Wind Velocity <sup>(1)</sup>	V = 45m/s (163km/h) height 8m / V=52m/s (188km/h) height 8m-15m / V-57m/s (205km/h) height >15m			
LED Brand	Philips Lumileds 3030			
Driver	Mean Well® HLG series (Non-dimmable)			
Heatsink	Anodised Aluminium (6063)			
Spigot	60mm diameter, 100mm depth, 8.8 grade Stainless Steel M8 bolts			
Optic Lens	PC (luminous transmittance = 9.2)			
Coating	Heatsink is anodic oxidation, remainder of fitting is anti-corrosion powdercoat			
Lifespan	>100,000hrs (L70)			
Colour	Silver/Black			

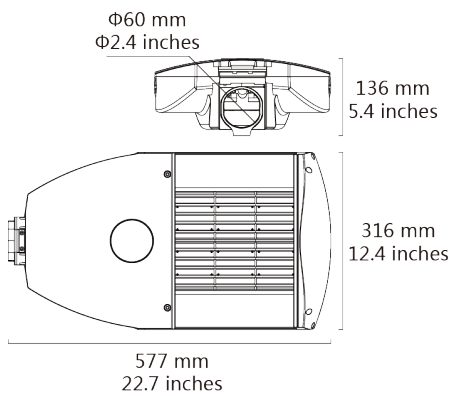
**DIMENSIONS**



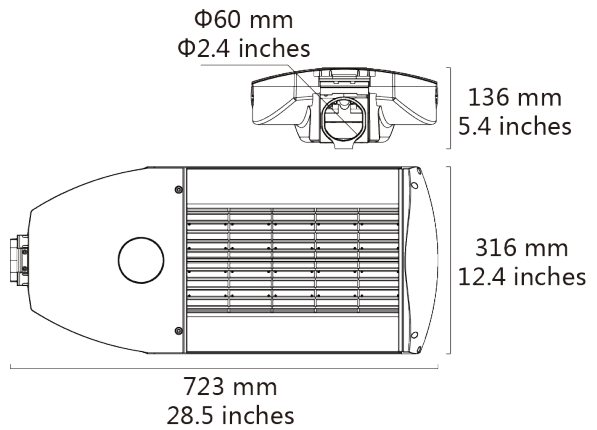
**50W**



**100W**



**150W**



**200W**

**PRODUCT BENEFITS**



Lens design for better performance for street lighting.



Utilises German WAGO® connectors for output connections - safe, convenient and fast.



M12 waterproof connector for output cable fixing.



M16 waterproof connector for input cable fixing.



Clamshell design for electrical box.



**LED CHIP**



78 Cryers Road  
East Tamaki  
Auckland.  
NEW ZEALAND  
phone: 64 9 272 5619

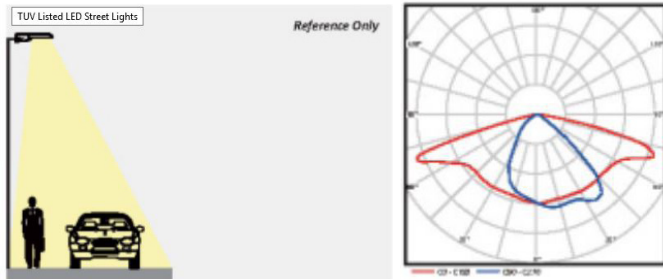
## FLEXIBLE INSTALLATION

Designed for horizontal and vertical applications and easily adjustable in 15° increments.

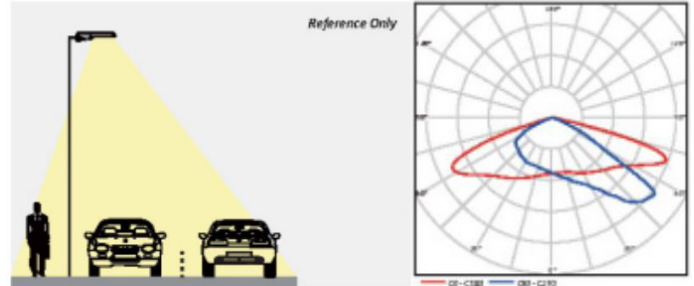


## LIGHT DISTRIBUTION

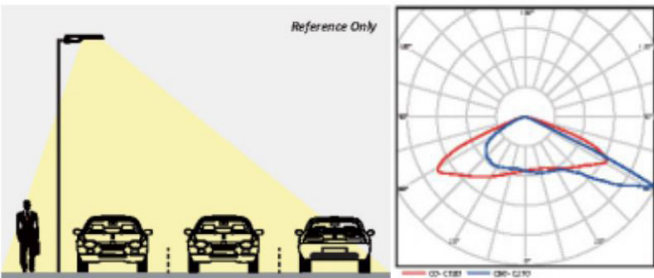
TYPE I



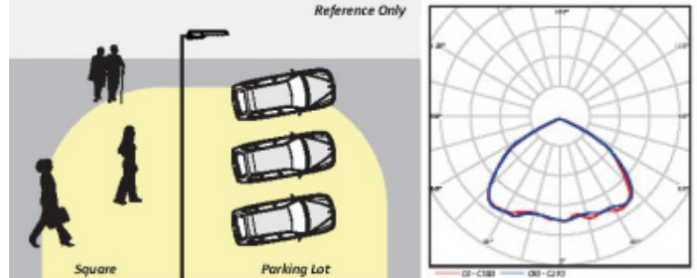
TYPE II



TYPE III



TYPE V



78 Cryers Road  
 East Tamaki  
 Auckland.  
 NEW ZEALAND  
 phone: 64 9 272 5619